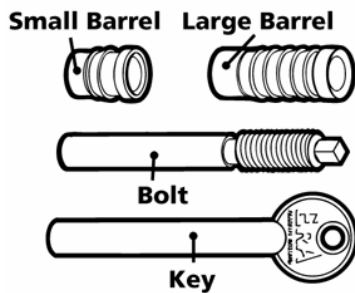


ERA SASH WINDOW LOCK

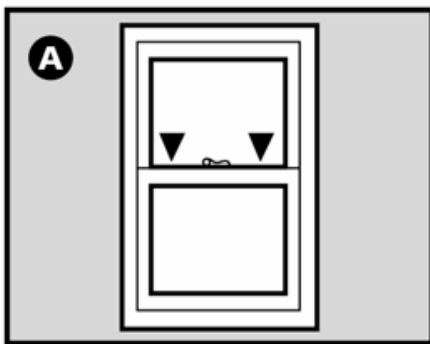
CONTENTS



TOOLS REQUIRED

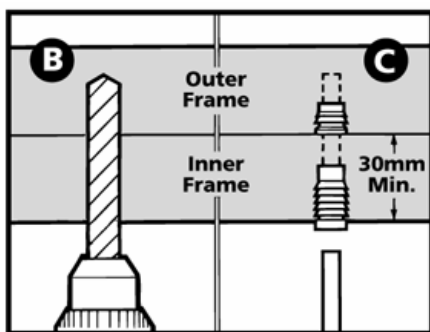
- § Drill with 10mm drill bit
- § Mallet
- § Hacksaw
- § Pencil

FITTING INSTRUCTIONS



A. Select position of sash window locks

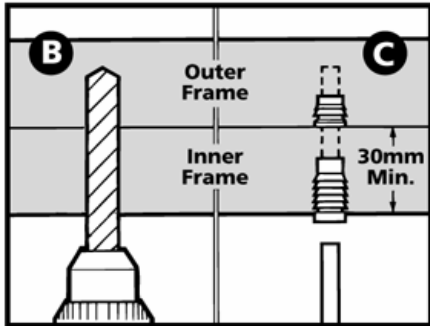
Note: Inner frame should be at least 30mm thick



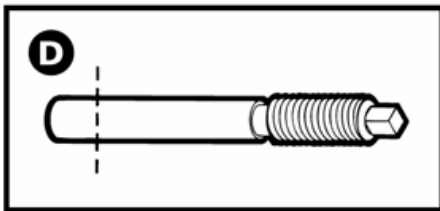
B. Drill a hole with the 10mm bit so that it goes through the inner frame cross member and into the outer frame to a depth of 19mm.

Note: Do not drill right through outer frame

Tip: To drill hole to correct depth, apply self adhesive tape to drill bit marking correct depth.



C. Using a mallet, carefully tap the large barrel into the outer frame. Open the window and tap the smaller barrel into inner frame. Close the window and slide the bolt (smooth end first) into the large barrel.



D. For security reasons, the square end of the bolt should be fully recessed. To achieve this, screw the bolt tightly in place. Measure the length (if any) by which the square end projects from the barrel rim. Remove the screw and measure the same distance from the round end. Mark and cut to length with a hacksaw

Operation – using the key, turn anti-clockwise to remove the bolt and clockwise to secure the bolt.

Security tips - always close and lock windows, removing keys from locks when leaving the house. Use 2 locks per window for added security.

If you have any further questions, our manufacture operates a technical helpline on:

01922 490 050